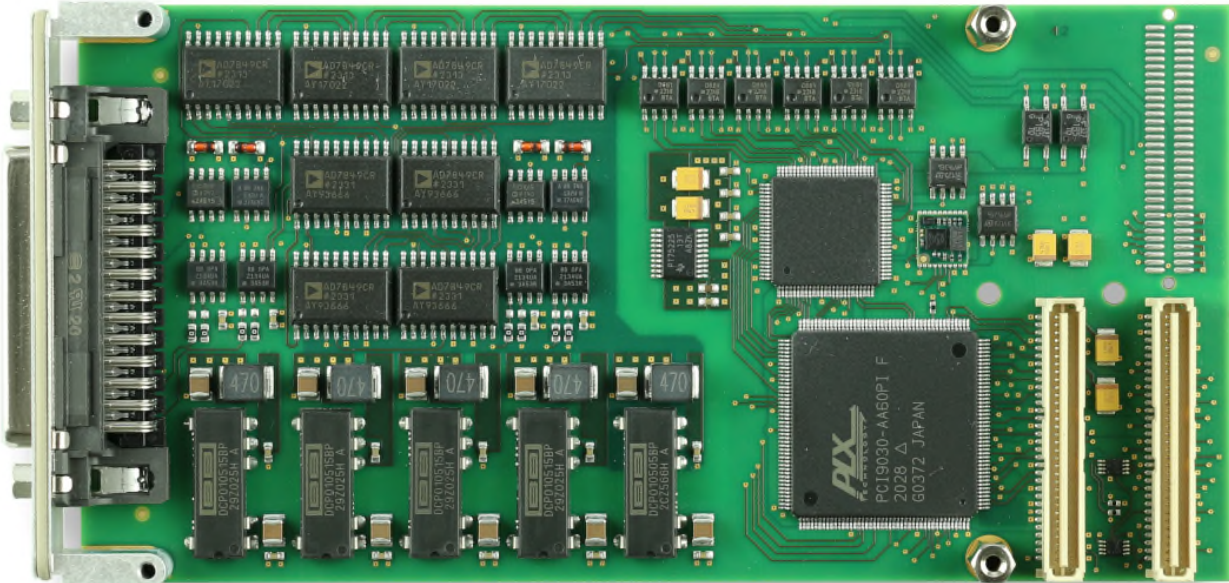


TPMC551 8/4 Channels of Isolated 16-bit D/A



TPMC551-10R

Application Information

The TPMC551 is a standard single-width 32-bit PMC module providing optically isolated 16-bit analog outputs.

The number of D/A channels and the I/O connector depends on the module version. Settling time to 0.003% is 10 μ s typical. Immediate and simultaneous loading are supported.

A sequencer allows periodical updates of enabled channels and the sequence timer range extends from 100 μ s to 6.5 s.

The TPMC551 offers two output voltage ranges, ± 10 V and 0-10 V, which are selectable by solder pads.

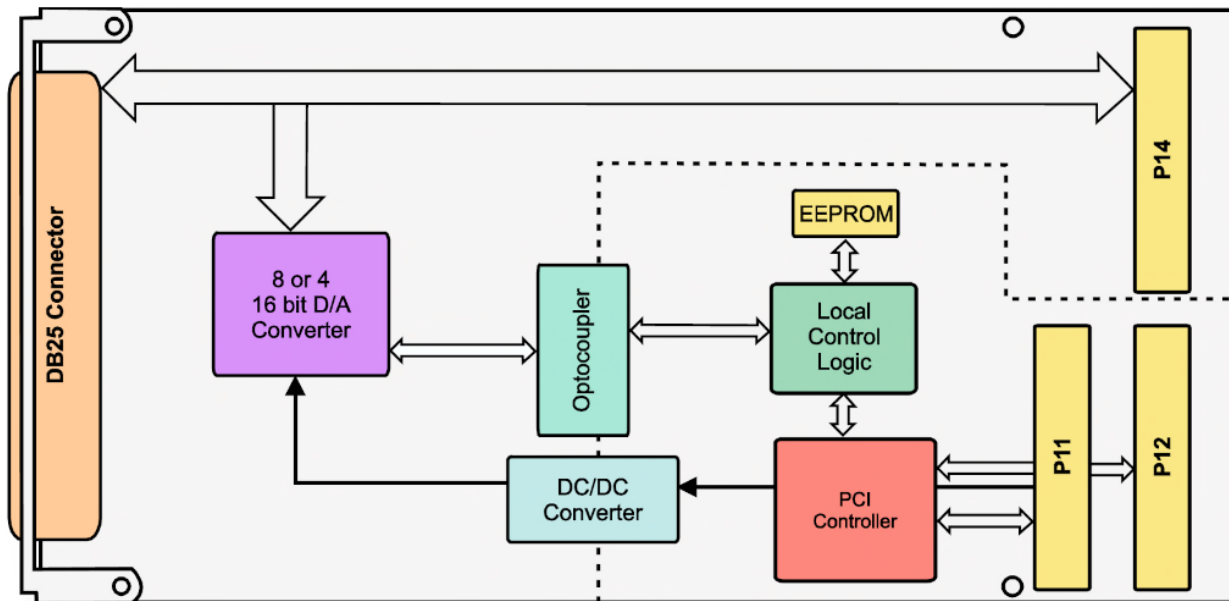
An on-board DC/DC converter powers the isolated DAC and the output buffers.

Each TPMC551 is delivered factory calibrated. The calibration information is stored in the Calibration-PROM unique to each PMC module.

Software Support (TPMC551-SW-xx) is available for different operating systems.

Technical Information

- Form Factor: Standard single-width 32-bit PMC module conforming to IEEE P1386/P1386.1
 - Board size: 147.5 mm x 74 mm
 - PCI v2.2 compliant interface
 - 3.3V and 5V PCI Signaling Voltage
- 16-bit D/A conversion
 - 0-10 V or ± 10 V selectable output voltage range
 - 10 μ s maximum settling time
 - 4 mA, 1000 pF maximum load
- I/O access:
 - Front panel I/O: DB25 female connector
 - Back I/O: PMC P14 I/O connector
- Operating temperature -40 °C to +85 °C
- MTBF (MIL-HDBK217F/FN2 G_B 20 °C)
 - TPMC551-10R: 371000 h
 - TPMC551-11R: 512000 h
 - TPMC551-20R: 353000 h
 - TPMC551-21R: 479000 h



Block Diagram

Order Information

RoHS Compliant

TPMC551-10R	8 Channel Isolated 16-bit D/A, +/-10 V or 0-10 V, DB25
TPMC551-11R	4 Channel Isolated 16-bit D/A, +/-10 V or 0-10 V, DB25
TPMC551-20R	8 Channel Isolated 16-bit D/A, +/-10 V or 0-10 V, P14 I/O
TPMC551-21R	4 Channel Isolated 16-bit D/A, +/-10 V or 0-10 V, P14 I/O

For the availability of non-RoHS compliant (lead solder) products please contact TEWS.

Software

TPMC551-SW-25	Integrity Software Support
TPMC551-SW-42	VxWorks Software Support
TPMC551-SW-65	Windows Software Support
TPMC551-SW-82	Linux Software Support
TPMC551-SW-95	QNX Software Support

For other operating systems please contact TEWS.

Related Products

TA303	Cable Kit for Modules with DB25 Female Connector
TPIM002	PIM I/O Module, HD50 connector