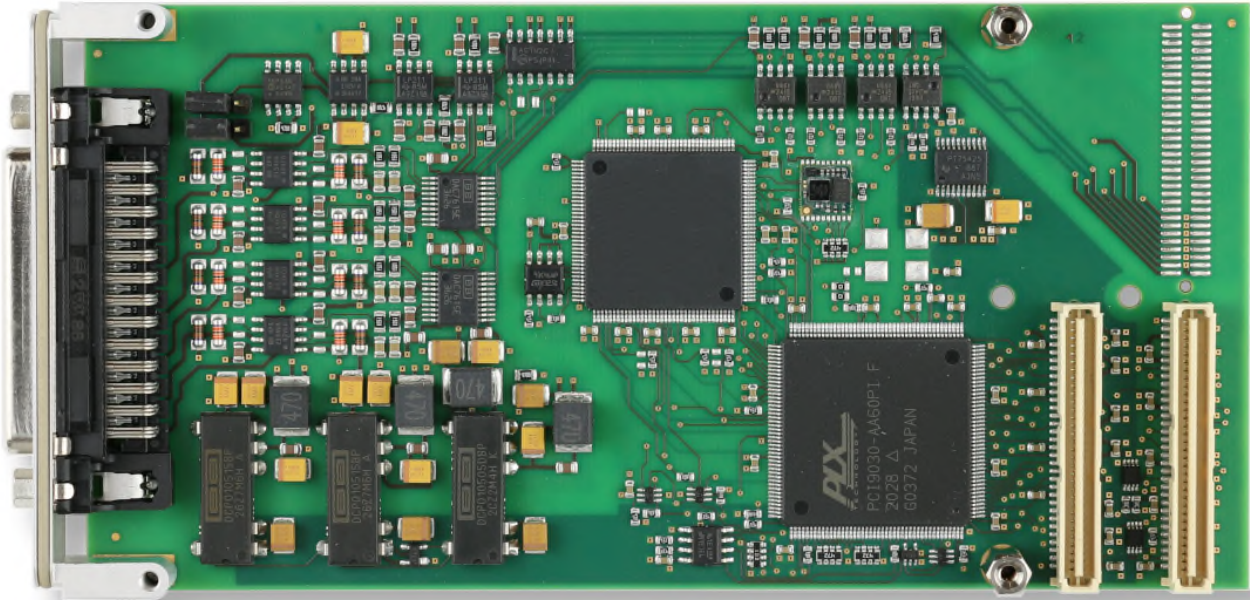


TPMC550 8/4 Channels of Isolated 12-Bit D/A



TPMC550-10R

Application Information

The TPMC550 is a standard single-width 32 bit PMC module and provides 8 channels of isolated 12 bit analog outputs. 4 channel and rear-I/O order options are also available. The settling time to 0.012% is 10 μ s maximum.

The TPMC550 supports immediate and simultaneous load. The sequencer allows periodically update of enabled channels and the sequence timer range extends from 100 μ s to 6.5 s.

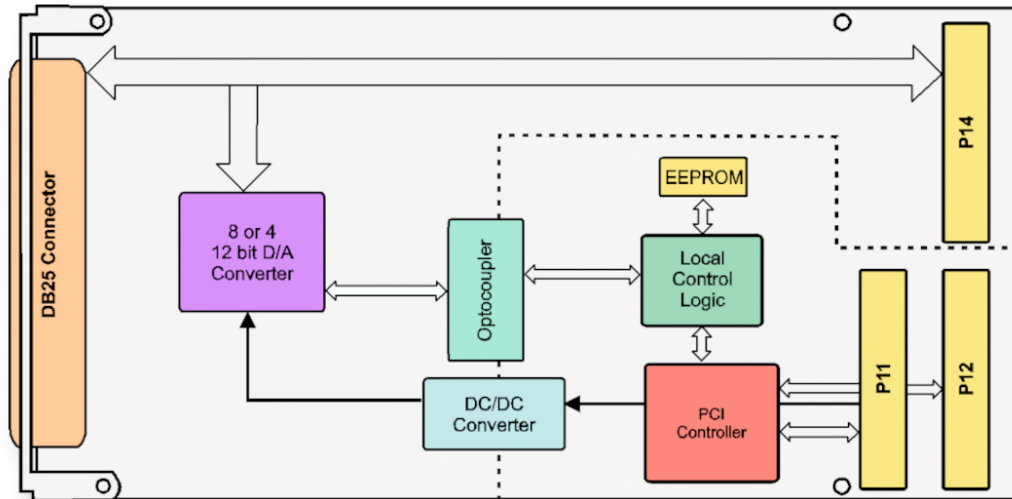
The programmable output voltage range is +/-10 V or 0-10 V selectable by jumper. An on board DC/DC converter powers the isolated DAC and the output buffer.

Each TPMC550 is factory calibrated. The calibration information is stored in the Identification-PROM unique to each PMC module.

Software Support (TPMC550-SW-xx) is available for different operating systems.

Technical Information

- Form Factor: Standard single-width 32 bit PMC module conforming to IEEE 1386/1386.1
 - Board size: 149 mm x 74 mm
- PCI 2.1 compliant interface
- 3.3V and 5V PCI Signaling Voltage
- 8 or 4 channels of isolated 12 bit analog outputs
- Settling time to 0.012% is 10 μ s maximum
- Full-scale output range +/- 10 V or 0-10 V
- Factory calibrated, calibration information stored in EEPROM
- Operating temperature -40 °C to +85 °C
- MTBF (MIL-HDBK217F/FN2 GB 20 °C)
 - TPMC550-10R: 481000 h
 - TPMC550-11R: 526000 h
 - TPMC550-20R: 448000 h
 - TPMC550-21R: 481000 h



Block Diagram

Order Information

RoHS Compliant

TPMC550-10R	8 Channel Isolated 12 bit D/A, +/-10 V or 0-10 V, DB25
TPMC550-11R	4 Channel Isolated 12 bit D/A, +/-10 V or 0-10 V, DB25
TPMC550-20R	8 Channel Isolated 12 bit D/A, +/-10 V or 0-10 V, P14 I/O
TPMC550-21R	4 Channel Isolated 12 bit D/A, +/-10 V or 0-10 V, P14 I/O

For the availability of non-RoHS compliant (lead solder) products please contact TEWS.

Software

TPMC550-SW-25	Integrity Software Support
TPMC550-SW-42	VxWorks Software Support
TPMC550-SW-65	Windows Software Support
TPMC550-SW-82	Linux Software Support
TPMC550-SW-95	QNX Software Support

For other operating systems please contact TEWS.

Related Products

TA303	Cable Kit for Modules with DB25 Female Connector
TPIM001	PIM I/O Module, HD50 Connector