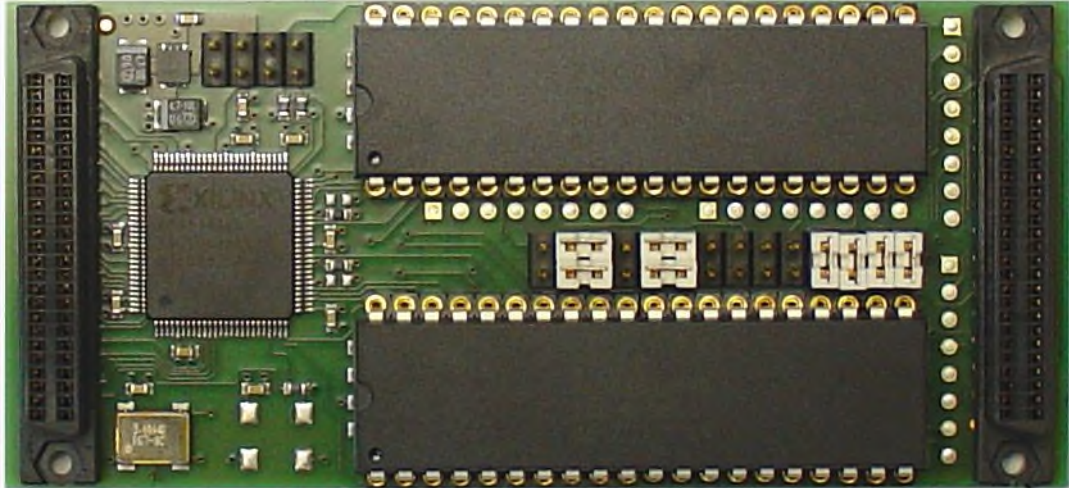


TIP865 4 Channel Serial Interface



Application Information

The TIP865 is an IndustryPack® compatible module with four channels of high performance multimode serial interface.

The TIP865-10R offers four RS232 interfaces, the TIP865-11R provides four TTL interfaces and the TIP865-20R supports four RS422 interfaces.

The full modem control is available for each of the 4 serial interfaces on the TIP865-10R and -11R supporting RxD, TxD, RTS, CTS, DCD and clock. The TIP865-20R provides RxD, TxD and clock.

Features include programmable baud rates to 2 Mbit/sec, asynchronous or synchronous protocols including NRZ, NRZI, FM, T1, SDLC/HDLC.

The maximum baud rate of the TIP865 is affected by several options like the clock input source, clock frequency, used clock mode, synchronous or asynchronous serial mode and the on board physical transceiver.

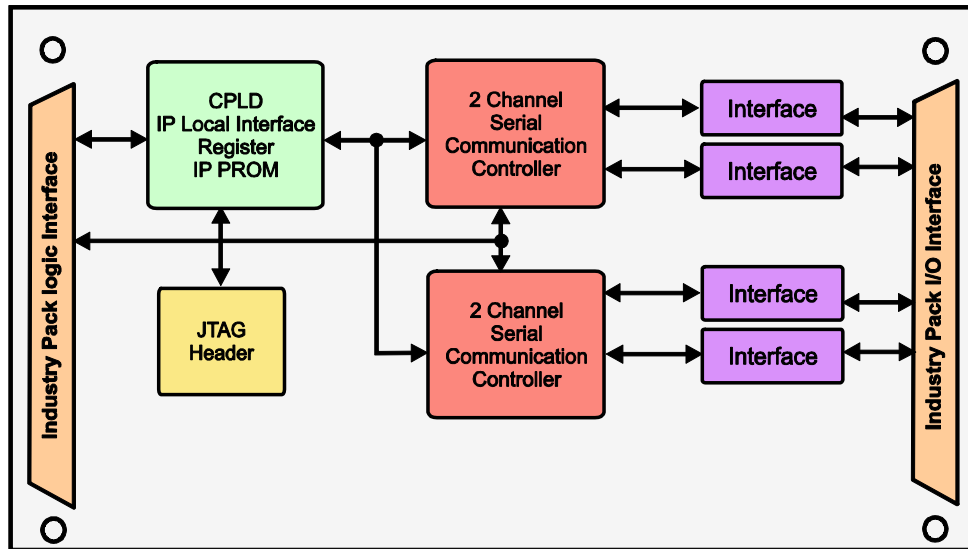
For more details about maximum baud rates please see User Manual TIP865-DOC.

The communication controller used is the industry standard Z85C30.

Serial line driver software TIP865-SW-xx is available (support only asynchronous protocols).

Technical Information

- Interface according to IndustryPack specification
- Identification-PROM supports auto-configuration
- Single Size IndustryPack
- 4 channels multimode serial interface
- Support of modem controls on TIP865-10R and -11R:
- RxD, TxD, DTR, DCD, RTS, CTS, Clock
- Support of RxD+/-, TxD+/- and Clock on TIP865-20R
- Programmable baud rates to 2 Mbps
- Asynchronous and synchronous protocols
- Operating temperature range 0°C to +70°C



Order Information

RoHS Compliant

- TIP865-10R** 4 Channel serial RS232, Zilog Z85C30
TIP865-11R 4 Channel serial TTL, Zilog Z85C30
TIP865-20R 4 Channel serial RS422, Zilog Z85C30

For the availability of non-RoHS compliant (lead solder) products please contact TEWS.

Documentation

- TIP865-DOC** User Manual

Software

- TIP865-SW-42** VxWorks Software Support (Legacy and VxBus-Enabled Software Support)
TIP865-SW-65 Windows Software Support
TIP865-SW-82 Linux Software Support
TIP865-SW-95 QNX Software Support

For other operating systems please contact TEWS.