

TA209

MDR50 Terminal Block

**50-pin terminal block with female
MDR type connector**

Version 1.0

User Manual

Issue 1.0.0

November 2024

TA209-10R

50-pin terminal block with female MDR type connector

This document contains information, which is proprietary to TEWS Technologies GmbH. Any reproduction without written permission is forbidden.

TEWS Technologies GmbH has made any effort to ensure that this manual is accurate and complete. However TEWS Technologies GmbH reserves the right to change the product described in this document at any time without notice.

TEWS Technologies GmbH is not liable for any damage arising out of the application or use of the device described herein.

©2024 by TEWS Technologies GmbH

All trademarks mentioned are property of their respective owners.

Document History

Issue	Description	Date
1.0.0	Initial Issue	November 2024

Table of Contents

TA209 MDR50 TERMINAL BLOCK	1
Document History	3
Table of Contents	4
List of Figures	4
List of Tables	4
1 PRODUCT DESCRIPTION	5
2 TERMINAL BLOCK PIN ASSIGNMENT	6
3 ASSEMBLY DRAWING	7

List of Figures

FIGURE 3-1 : TA209 ASSEMBLY DRAWING	7
-------------------------------------------	---

List of Tables

TABLE 2-1 : TA209 TERMINAL BLOCK PIN ASSIGNMENT	6
TABLE 2-2 : TA209 ADDITIONAL TERMINAL PIN ASSIGNMENT	6

1 Product Description

The TA209 is used as a standard interface for a switch cabinet to connect TEWS modules with a 50-pin Mini D Ribbon (MDR) Connector with other system devices. The MDR50 Terminal Block is therefore an essential wiring interface for prototyping and in the same way for machine and peripheral equipment.

The TA209 has a universal socket and may simply mount on standard EM mounting rails as a compact terminal strip. The screw connections of the used terminal block have a nominal cross section of 2.5 mm².

An additional screw connector provides a possibility to connect the shield of the 50pin male MDR type connector to external case ground.

2 Terminal Block Pin Assignment

Terminal	MDR50 Pin	Terminal	MDR50 Pin
1	1	26	26
2	2	27	27
3	3	28	28
4	4	29	29
5	5	30	30
6	6	31	31
7	7	32	32
8	8	33	33
9	9	34	34
10	10	35	35
11	11	36	36
12	12	37	37
13	13	38	38
14	14	39	39
15	15	40	40
16	16	41	41
17	17	42	42
18	18	43	43
19	19	44	44
20	20	45	45
21	21	46	46
22	22	47	47
23	23	48	48
24	24	49	49
25	25	50	50

Table 2-1 : TA209 Terminal Block Pin Assignment

X2 Terminal Block	X1 Female MDR
1	e.g.
2	Case Ground or Shield

Table 2-2 : TA209 Additional Terminal Pin Assignment

3 Assembly Drawing

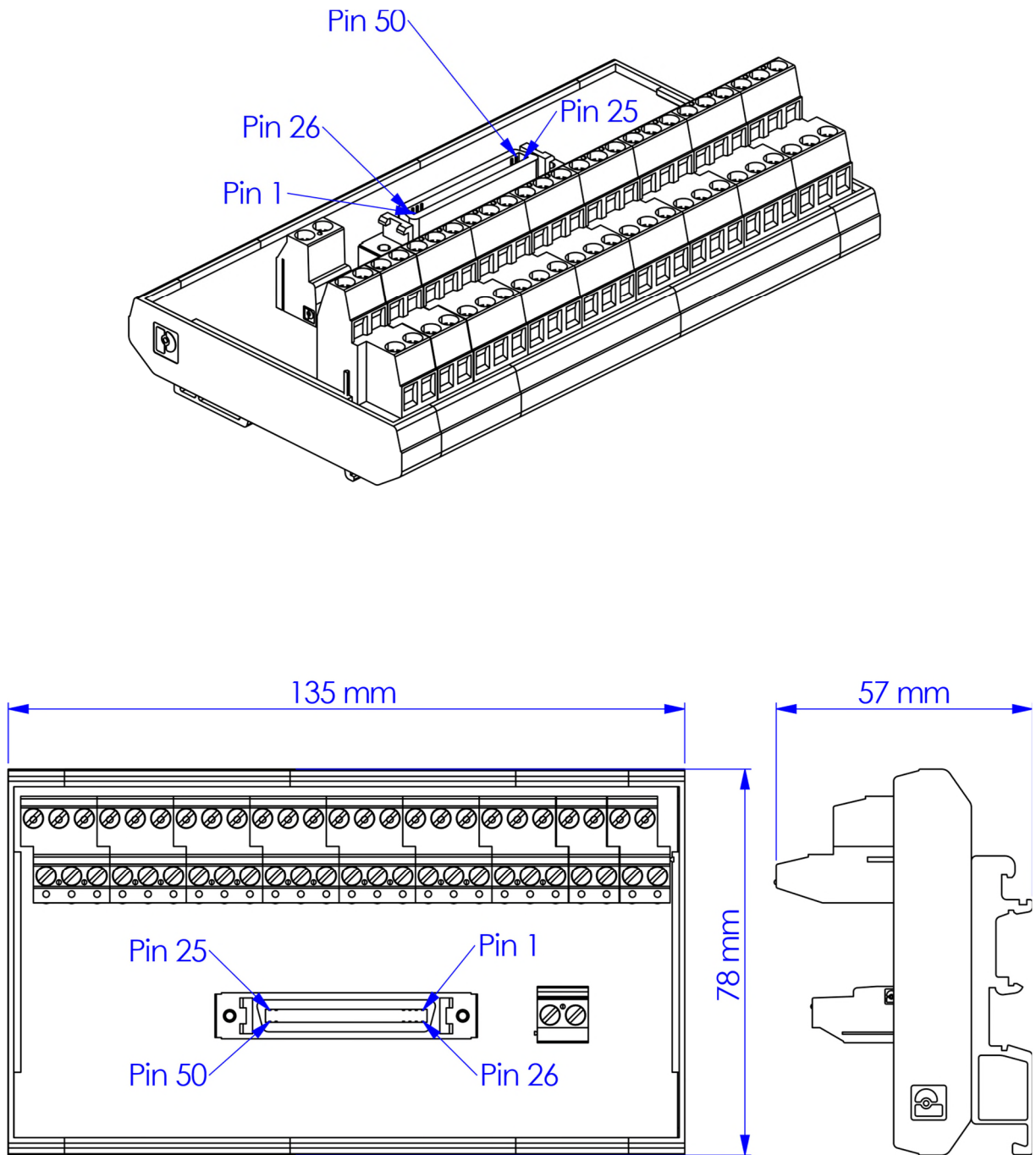


Figure 3-1 : TA209 Assembly Drawing